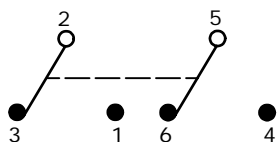


ISOMETRIC

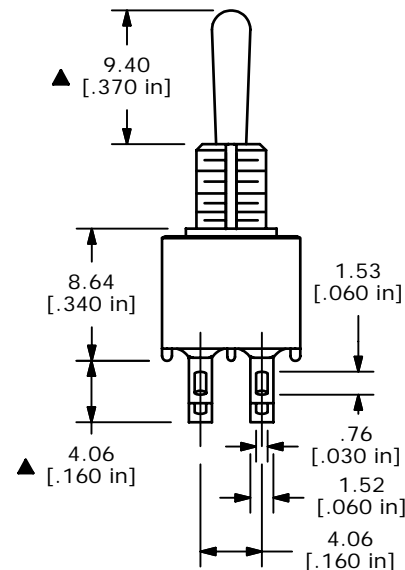
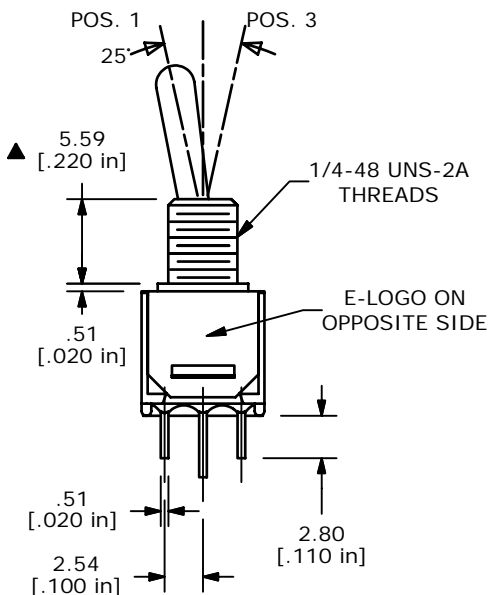
| SWITCH FUNCTION | | |
|-----------------|--------|----------|
| POS. 1 | POS. 2 | POS. 3 |
| | | |
| ON | NONE | ON |
| 2-3, 5-6 | N/A | 2-1, 5-4 |



CIRCUIT: DPDT

NOTE:

1. ALL DIMENSIONS IN MM [INCH]
2. GENERAL TOLERANCE: X.X=±0.4
X.XX=±0.25
3. TERMINAL NUMBERS FOR REF ONLY
- ▲ 4. PLATING MATERIAL: SILVER
5. RATING: 3 AMPS @ 120VAC OR 28VDC; 1 AMPS @ 250VAC
6. ELECTRIC LIFE: 30,000 MAKE-AND-BREAK CYCLES AT FULL LOAD.
7. INSULATION RESISTANCE: 1,000 MEGA-OHM MIN.
8. DIELECTRIC STRENGTH: 1,000 V RMS @SEA LEVEL.
9. OPERATING TEMP.: -30°C to 85°C
10. ▲ DENOTES CRITICAL PARAMETER.
11. 2002/95/EC (ROHS) COMPLIANT



E-SWITCH®

| | | | | |
|-----|--------|------------------|---------|----|
| A | 16037 | NEW PART RELEASE | 5/24/06 | CT |
| REV | PCR NO | DESCRIPTION | DATE | BY |

| | | | | |
|-----------------------|----------------|-------|-------------|-------|
| TITLE 200MDP1T1B3M1QE | | | | |
| SCALE 2:1 | DATE 5/24/2006 | DR CT | DWG T221049 | REV A |

THE INFORMATION CONTAINED IN THIS DOCUMENT IS PROPRIETARY TO E-SWITCH AND IS NOT TO BE COPIED OR TRANSFERRED